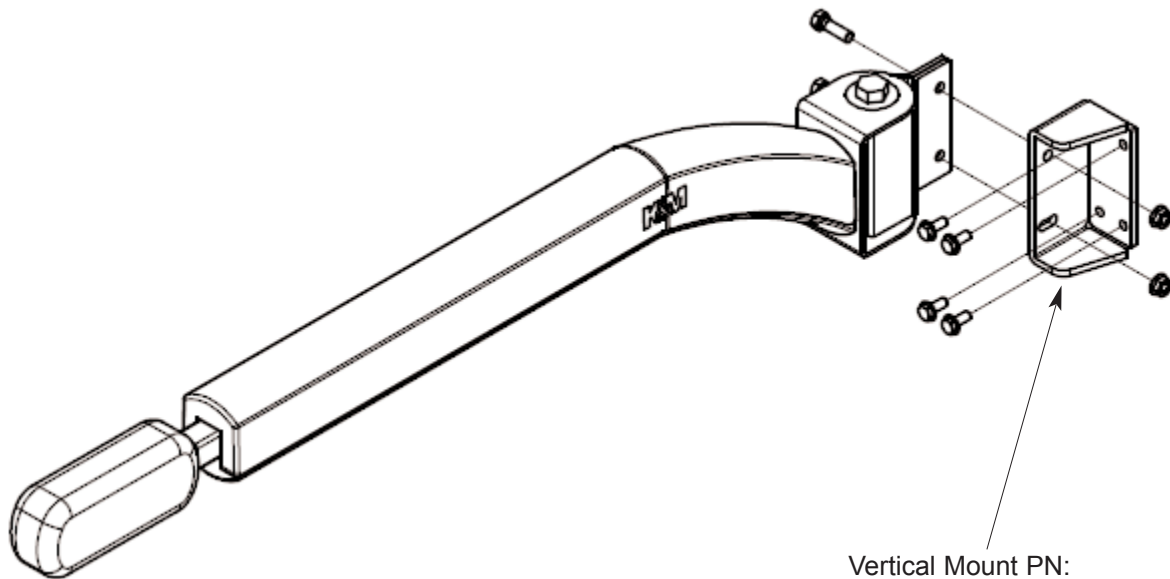


# Installation Guide

## Nite-Gard™ Vertical Mount (PN: 3243)

1. Find a sturdy vertical surface to mount the light to. NOTE: It is the customer's responsibility to ensure the surface is strong enough to support the warning light.
2. Use the mount bracket to mark the holes for the mounting bracket.
3. Drill four 17/64" holes for the mounting bracket.
4. Mount the bracket using the four 5/16" x 3/4" thread cutting bolts. NOTE: Do not thread the bolt in all at once. It helps to back the bolt out occasionally to clear some of the steel that is being cut. Cutting oil or a similar product will help as well.
5. Mount the warning light arm to the vertical mount bracket using the 3/8" x 1" bolts and flange nuts.
6. Locate the flasher circuit on the tractor.
7. Connect one wire to the flasher circuit and ground the other wire. Be sure to trim the wire on the warning light arm and discard any excess wire.
8. Loosen the knob and extend the light extension to desired position.
9. Re-tighten the knob. Do not over tighten.



Vertical Mount PN:  
10171(Right Hand)  
10172 (Left hand)