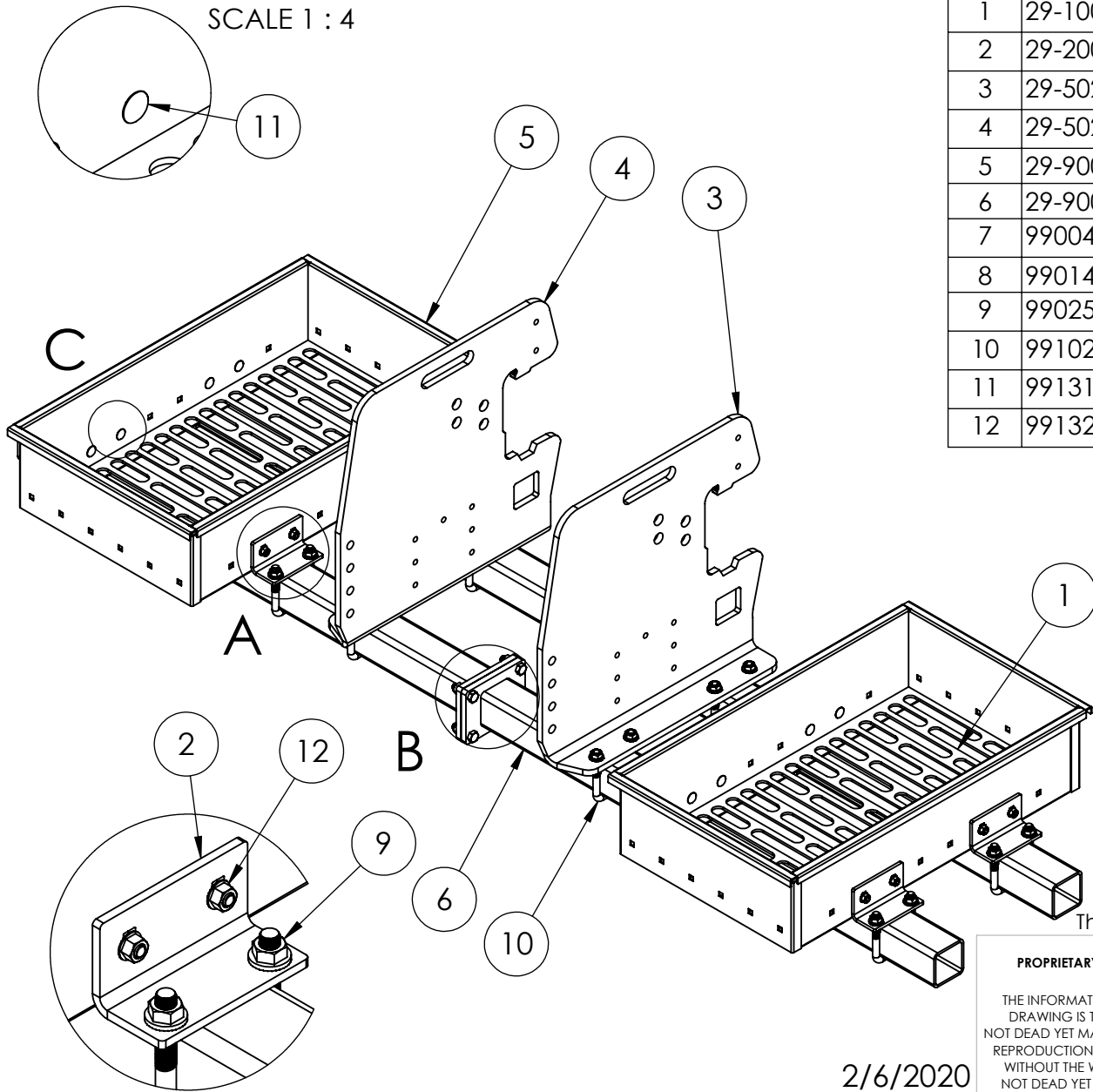
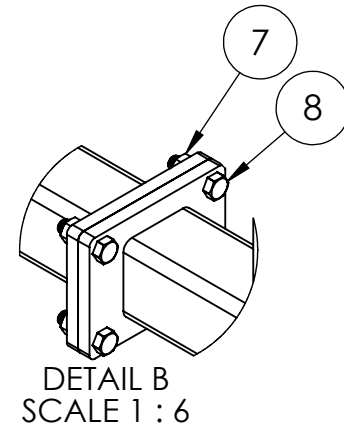


DETAIL C
SCALE 1 : 4



ITEM	PART #	DESCRIPTION	QTY.	Price ea.
1	29-1009	Box Tray	2	\$60.00
2	29-2000	Mounting Bracket	8	\$6.75
3	29-5020(L)	Weight Plate Left	1	\$105.00
4	29-5020(R)	Weight Plate Right	1	\$105.00
5	29-9002	Standard Box	2	\$100.00
6	29-9003	Main Tube	4	\$55.00
7	99004	1/2-13 Two Way Locknut	8	\$0.33
8	99014	1/2-13 x 1-3/4" Hex Bolt	8	\$0.76
9	99025	1/2-13 Serrated Flanged Nut	24	\$0.24
10	99102	3" x 4-1/4" Square U-bolt	12	\$4.45
11	99131	3/8"-16 x 3/4" Carriage Bolt	16	\$0.38
12	99132	3/8"-16 Flange Top Lock Nut	16	\$0.20



This assembly is used for 9000 Series with the front weight bracket

PROPRIETARY AND CONFIDENTIAL

THE INFORMATION CONTAINED IN THIS DRAWING IS THE SOLE PROPERTY OF NOT DEAD YET MANUFACTURING, INC. ANY REPRODUCTION IN PART OR AS A WHOLE WITHOUT THE WRITTEN PERMISSION OF NOT DEAD YET MANUFACTURING, INC. IS PROHIBITED.

2/6/2020

COMMENTS:

TITLE:
**Rock Box for Deere
5000, 6000, 7000,
8000 with weights**

SIZE DWG. NO. REV
A RBJD-3800

SCALE: 1:12 WEIGHT: SHEET 1 OF 1

DETAIL A
SCALE 1 : 4



5

4

3

2

1