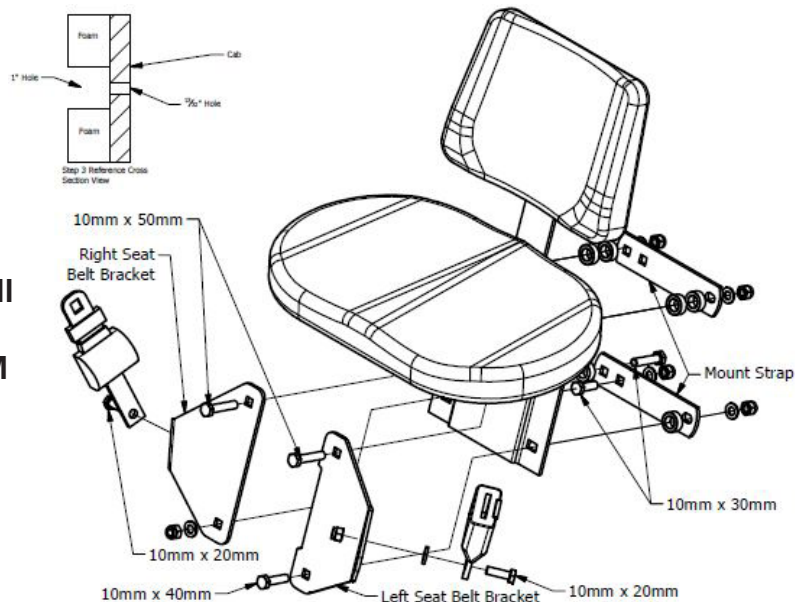


For a video on how to install  
this seat go to:  
<http://youtu.be/CcrPv7r1sFM>



1. Use the hole template to mark the location of the mounting holes. The notch in the template goes around the bracket that holds the door cylinder. Use a 1/4 inch drill to drill the holes.
2. Remove the layer of foam and cab material with a 1 inch hole saw. Run the drill slowly to avoid tearing the material. **DO NOT DRILL ALL THE WAY THROUGH THE CAB.** See picture above.
3. Drill all four holes all the way through with a 13/32 drill.
4. Place two spacers in each of the two holes cut with the hole saw.
5. Fasten the seat belt buckle to the left seat belt bracket with a 10mm x 20mm bolt flat washer and lock nut. Fasten the seat belt strap to the right seat belt bracket with a 10mm x 20mm bolt flat washer and lock nut.
6. Insert a 10mm x 30mm carriage bolt in the middle square hole of one of the mount straps. Place another 10mm x 30 mm bolt the opposite direction into the other square hole. Place one spacer on the bolt and run it through the bottom right hole of the seat frame and the lower hole of the right seat belt bracket. Put a flat washer and a lock on the bolt and hand tighten.
7. Place a 10mm x 50mm carriage bolt through the upper hole of each seat belt bracket and through the upper two holes of the seat frame.
8. Place a 10mm x 40mm carriage bolt in the lower hole of the left seat belt bracket and run it through the seat frame. Put a spacer on the back side of the seat frame and run the bolt through the slotted hole of the lower mount strap.
9. With all the bolts in place lift the seat into place and guide the bolts through the drilled holes. Place a flat washer and lock nut on the lower two bolts in the wheel well and hand tighten. Place the other mount strap inside the wheel well on the top two bolts with a flat washer and lock nut. Tighten all hardware.