

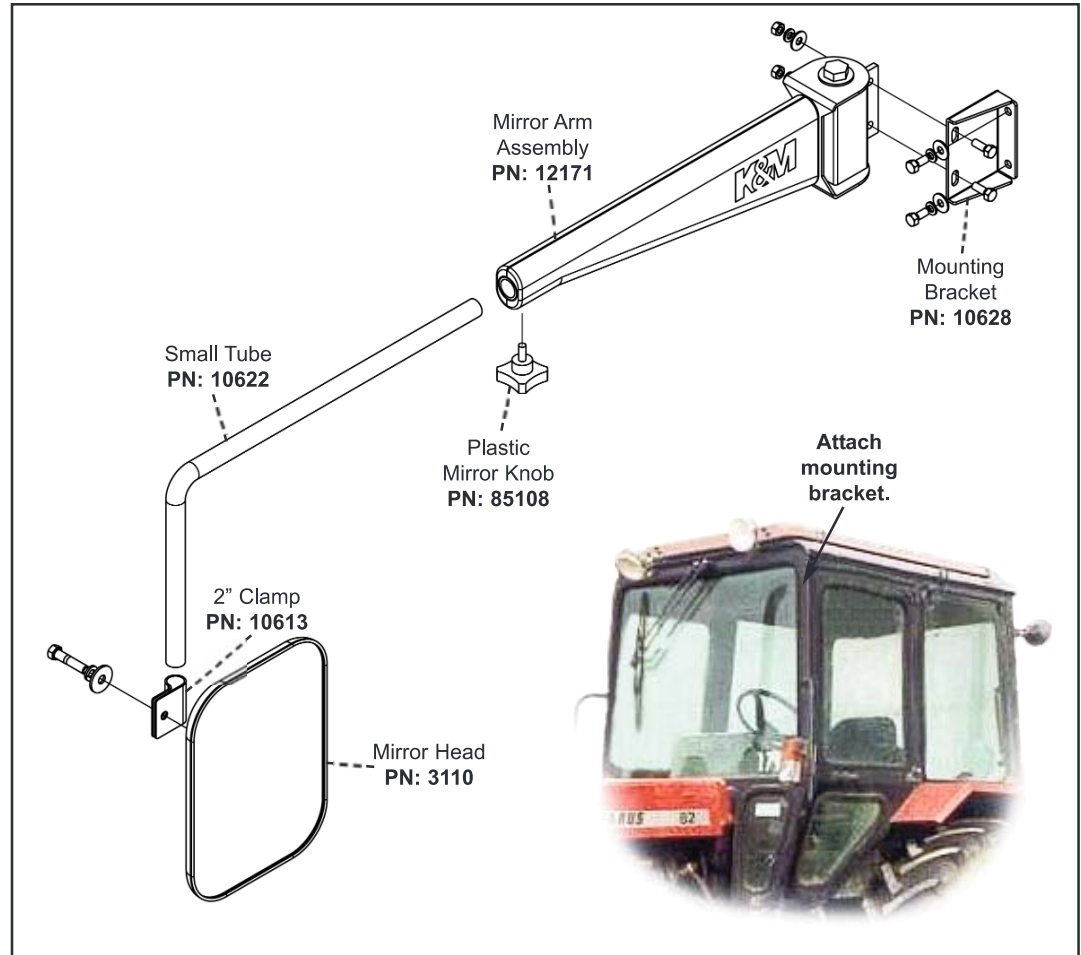
## Installation Guide

### RAP Mirror - Front or Center Door Post Mount (PN: 3170)

*Fits all tractor cabs that do not have an alternate K&M application available.*

**NOTE:** Mirror can be used on either the right or left side.

1. Place the **mounting bracket** slightly below the forward door frame and mark the two holes for drilling (See picture.)
2. Drill two 17/64" holes in the cab frame and fasten the **mounting bracket** with two 5/16" x 3/4" self-threading bolts, flat washers and lock washers.
3. Fasten the **mirror arm assembly** to the **mounting bracket** with two 5/16" x 1" full thread bolts, flat washers, lock washers and nuts.
4. Insert the **small tube** into the **mirror arm assembly** and secure with the **plastic mirror knob**.



**Note!**

*Do not overtighten the plastic mirror knob in step 4.*

5. Fasten the **mirror head** to the **small pipe** with the **2" clamp** and included hardware.