



201 N. Champaign St. Bement, Illinois 61813

## 260BHG-02 260 SERIES 2 MICRON BIO-TEK

**Media Type:** Hydroglass

Max Working Pressure (psi): 50

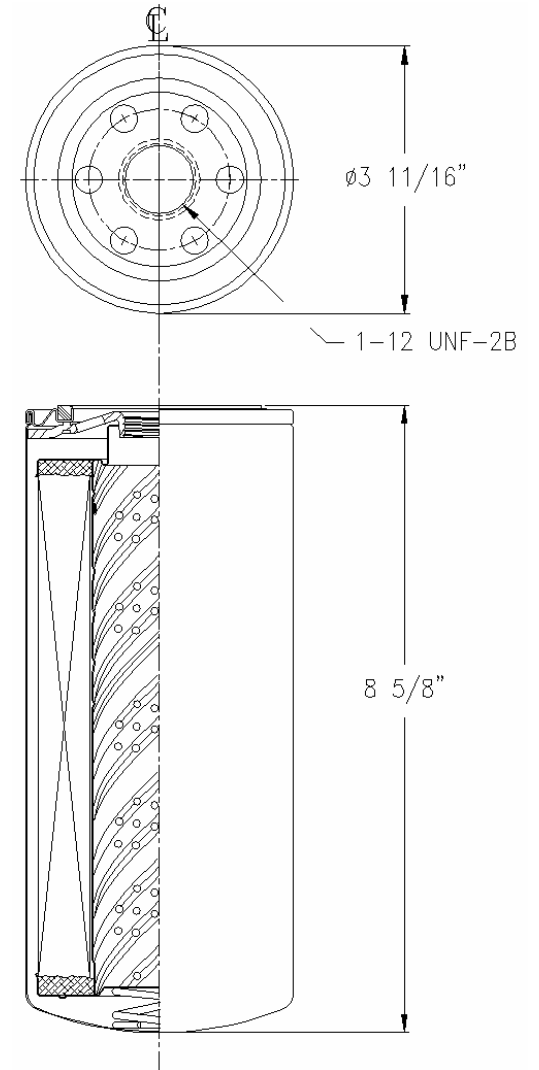
Core Collapse Pressure (psid): 80

### NOTES:

1. Technical Data subject to change without notice.
2. Tests are conducted with Mobile Aero HFA Aviation Hydraulic Fluid.
3. Filters are not to be used with aviation applications.

jw 02/20/09 Rev A

## Technical Data Sheet -70232



Gasket:

I. D.  $2 \frac{13}{32}$

O. D.  $2 \frac{25}{32}$