



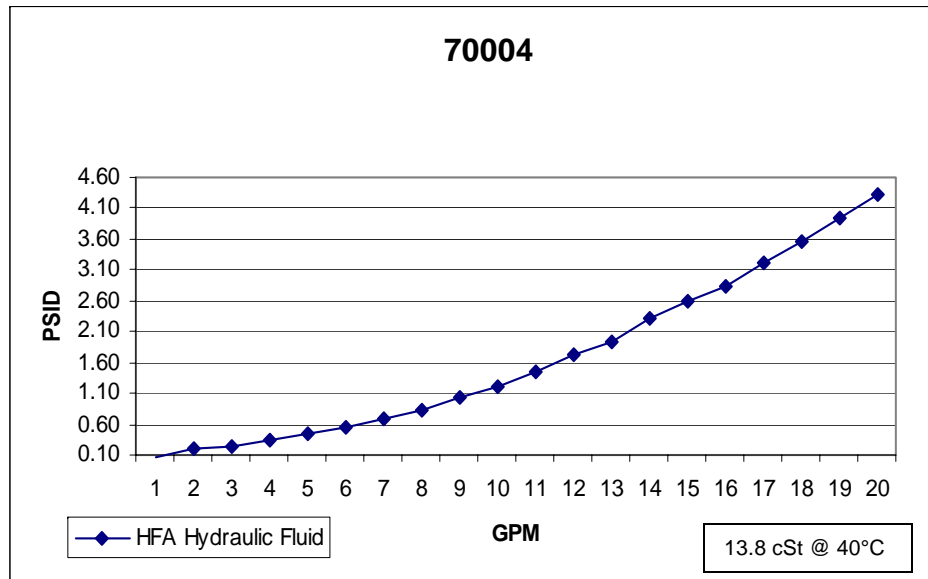
201 N. Champaign St. Bement, Illinois 61813

200AE-10 200 SERIES 10 MICRON WITH DRAIN

Media Type: Cellulose

Max Working Pressure (psi): 50

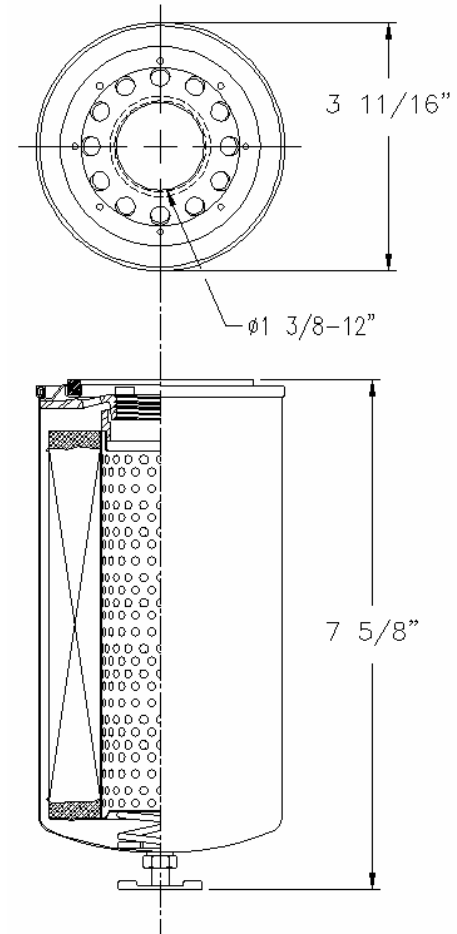
Core Collapse Pressure (psid): 80



NOTES:

1. Technical Data subject to change without notice.
2. Tests are conducted with Mobile Aero HFA Aviation Hydraulic Fluid.
3. Filters are not to be used with aviation applications.

Technical Data Sheet - 70004



Gasket:

I. D. 2 13/32

O. D. 2 25/32