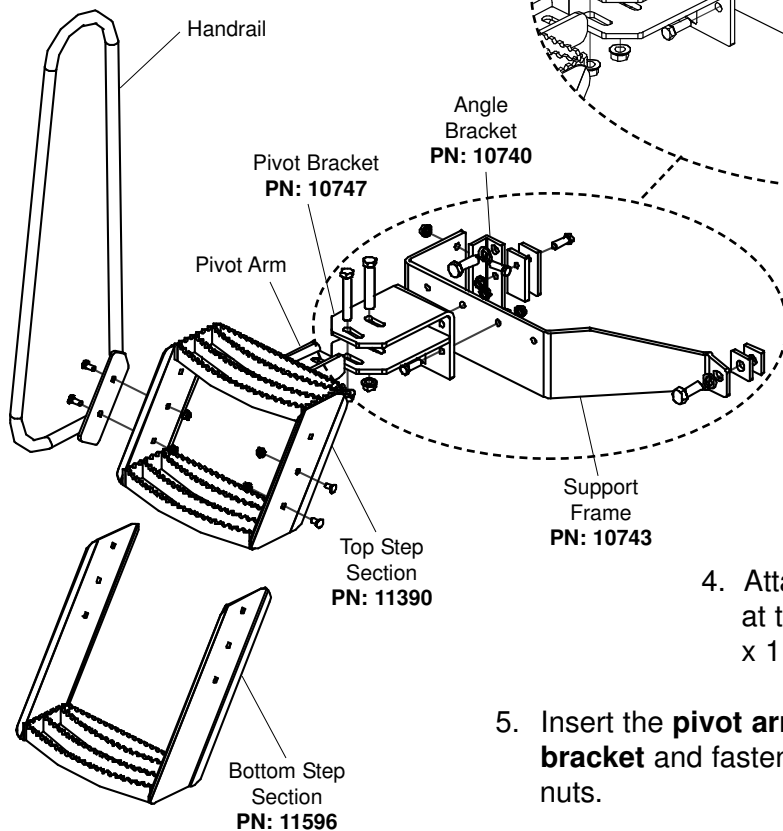
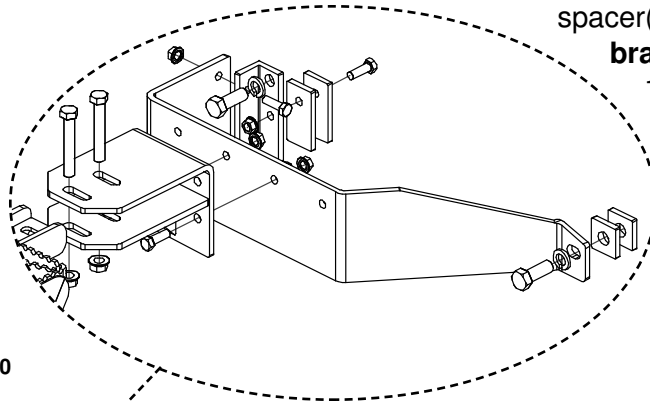


1. Bolt the **angle bracket** to the **clutch housing** with a 3/4" x 2" capscrew and lock washer, or existing bolt if adequate.

2. Determine the appropriate number of spacers needed, equivalent to the thickness of an existing bracket which also occupies the same mounting hole. Fasten the spacer(s) to the **angle bracket** with a 1/2" x 1 1/2" capscrew and flange nut.



3. Fasten the **support frame** to the **angle bracket** with two 1/2" x 1 1/2" capscrews and flange nuts; and one 3/4" x 2" capscrew and lock washer to the protruding hole on the side of the **clutch housing**. **NOTE: Equal number of spacers must also be used on the side hole as was used in step #2.**

4. Attach the **pivot bracket** to the **support frame** at the desired position and secure with two 1/2" x 1 1/2" capscrews and flange nuts.

5. Insert the **pivot arm** of the **top step section** into the **pivot bracket** and fasten with two 5/8" x 4" capscrews and flange nuts.

6. Fasten the **bottom step section** with two 3/8" x 3/4" carriage bolts and flange nuts on the right side (or rear side) of the step.

7. Use two 3/8" x 1" carriage bolts and flange nuts on the left side (or front side); also include the **handrail** at this location.