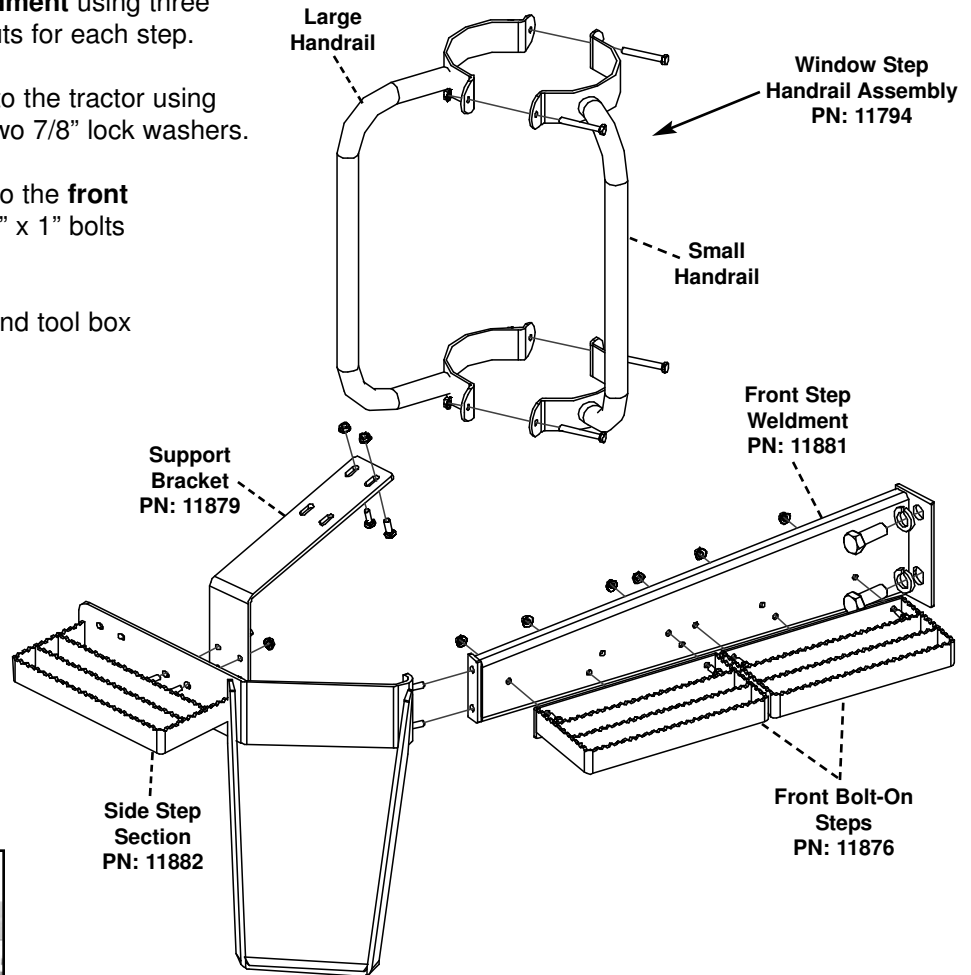


Instruction Guide

John Deere 8020 Series Window Step - (PN: 3409)

1. Fasten the **front bolt-on steps** in the desired position on the **front step weldment** using three 5/16" x 3/4" bolts and flange nuts for each step.
2. Bolt the **front step weldment** to the tractor using two 20mm x 50mm bolts and two 7/8" lock washers.
3. Fasten the **side step section** to the **front step weldment** using two 5/16" x 1" bolts and flange nuts.
4. Remove the existing tool box and tool box bracket from the fuel tank.
5. Fasten the lower end of the **support bracket** to the **side step section** using two 5/16" x 1" bolts and flange nuts.
6. Insert two 5/16" x 1" carriage bolts (facing up) in the top holes of the **support bracket**. Then bolt the **support bracket** to the tractor fuel tank strap with the existing tool box bracket bolts.



7. Re-install the tool box and tool box bracket on top of the **support bracket**. Fasten with two 5/16" flange nuts.
7. Locate the **handrail** to the desired height on the muffler shield.
8. Fasten the **handrails** together using four 5/16" x 2 1/2" bolts and flange nuts.

NOTE! - When Installing This Application

Do not tighten any bolts until all parts have been assembled to the tractor.