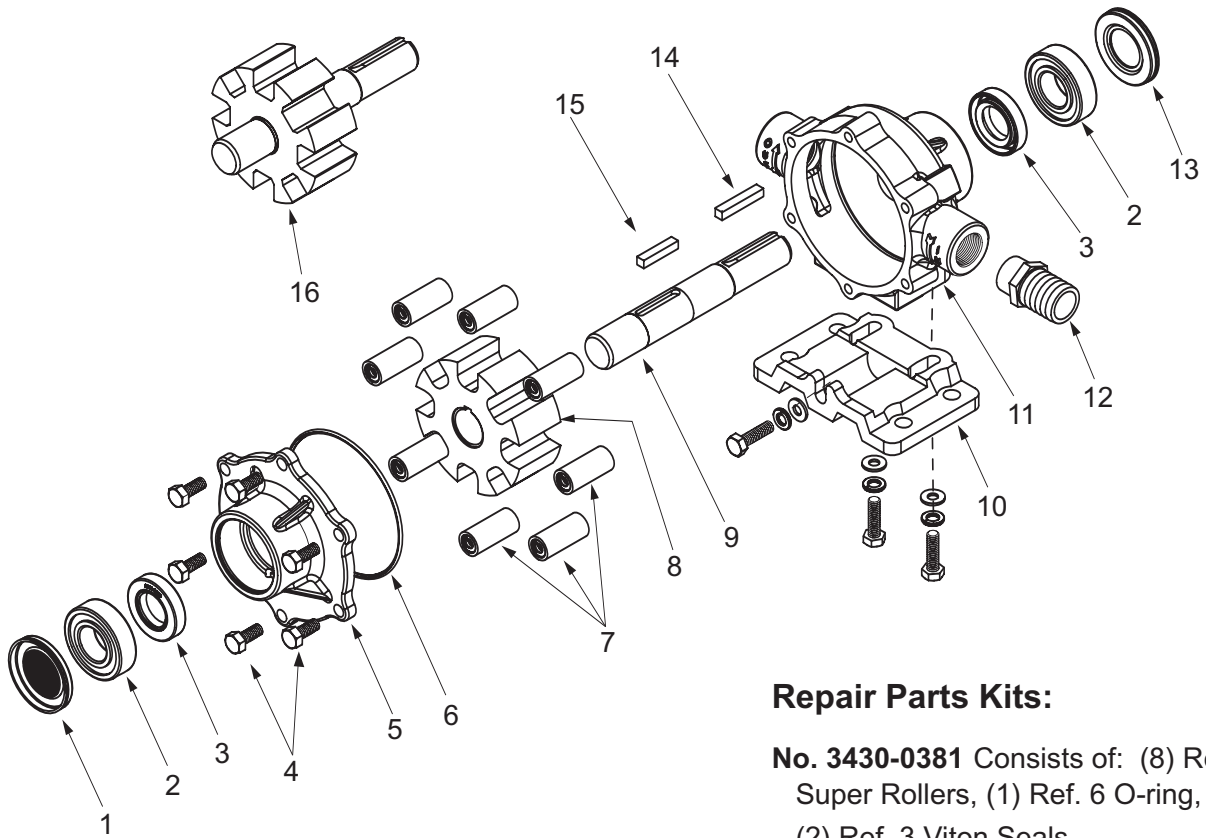


Series 7560



Note: When ordering parts, give quantity, part number, description and complete model number. Reference numbers are used ONLY to identify parts in the drawing and NOT to be used as order numbers.

Repair Parts Kits:

No. 3430-0381 Consists of: (8) Ref. 7 Super Rollers, (1) Ref. 6 O-ring, and (2) Ref. 3 Viton Seals

No. 3430-0167 Consists of: (8) Ref. 7 Polypropylene Rollers, (1) Ref. 6 O-ring, and (2) Ref. 3 Viton Seals

No. 3430-0622 Consists of: (1) Ref. 8 Phenolic Rotor, (1) Ref. 9 Shaft, and (1) Ref. 15 Key

Ref. No.	Qty. Req'd.	Part No.	Description
1	1	2300-0020	Bearing Cover
2	2	2008-0001	Sealed Ball Bearing
3	2	2112-0003	Viton Seal (Standard)
3	2	2112-0001	Buna-N Seal (Optional)
4	6	2210-0004	Bolts
5	1	0204-7500C	Endplate (Cast Iron) with seal
5	1	0204-7500N	Endplate (Ni-Resist) with seal
5	1	0204-7500X	Endplate (SilverCast) with seal
6	1	1720-0014	O-ring Gasket for Endplate
7	8	1005-0004	Super Roller (Standard)
7	8	1002-0004	Polypropylene Roller (Optional)
7	8	1052-0004	Buna-N Roller (Optional)
7	8	1055-0004	Teflon Roller (Optional)

Ref. No.	Qty. Req'd.	Part No.	Description
8	1	0403-7500P	Phenolic (Standard)
9	1	0510-7500	Shaft (416 Stainless)
10	1 kit	3420-0003	Base Kit - Includes: (1) Base, (3) Bolts and (3) Washers
11	1	0104-7500C	Body (Cast Iron) with seal
11	1	0104-7500N	Body (Ni-Resist) with seal
11	1	0104-7500X	Body (SilverCast) with seal
12	1	2404-0052	1" Hose Barb
13	1	2300-0022	Shaft Bearing Cover
14	1	1610-0005	Key
15	1	1610-0059	Key (Stainless Steel)
16	1	N/A	Metal Rotor Assembly. Use Kit No. 3430-0622 (Phenolic rotor)