

Congratulations on your new PrecisionMeters™ from Precision Planting®.

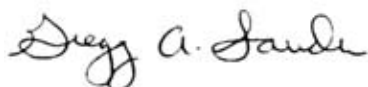
These meters are the heart of your planter. They can be the difference between a good year and a great year. They are precision instruments that should be handled with care.

Your meters have been tested at a general setting, we recommend that you have your meters calibrated to your specific seed type and planting speed by a certified MeterMax® representative. Call us or visit our website at www.precisionplanting.com to find your closest MeterMax® representative.

Your meter has our adjustable brush. It has been pre-set to the optimum setting for most seed sizes. Some basic guidelines for adjusting your brush are included on the back side of this sheet. If you take your meters to a MeterMax® technician, they will provide you with a specific recommendation on a brush setting for each seed you plant.

From Keeton® Seed Firmers to the PrecisionMeter™, my goal is to help you achieve maximum profitability by maximizing your planter's performance. If you have any questions, please give us a call.

Sincerely,

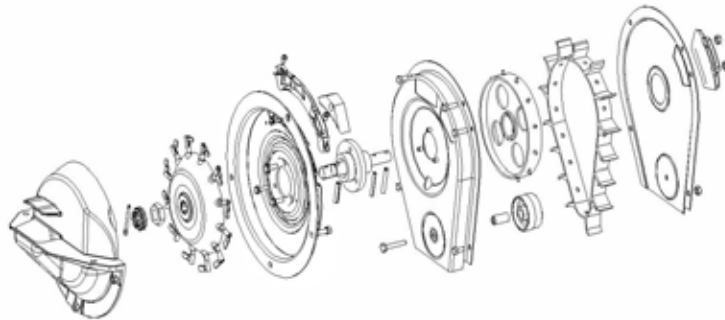


Gregg A. Sauder
Precision Planting®



Precision™ Meter Operating Tips

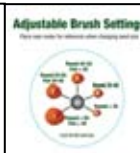
Your meters have been tested to ensure that they pass our quality standards. These tests are conducted using a medium flat seed and the “A” insert. Your seed size and shape will be different and can change meter performance. For optimum performance, have your meters calibrated with your seed by a MeterMax® technician.



Brush

The Adjustable Brush provides additional flexibility to accommodate a wide range of seed sizes. Use the “T” handle that is attached to gently rotate the brush into position. Follow these general guidelines to adjust the brush position to your seed size and shape. Adjusting the brush to match seed size is simple – adjust the brush counterclockwise for larger seed and clockwise for smaller seed. The numbers listed below correspond to the numbers printed on the outer housing of your meter.

Use the enclosed sticker as a simple reference guide for setting your brush to each seed type. Mount this sticker to the hopper panel or to the back cover of the meter so it is visible as you make your brush adjustments.



Recommended Brush Settings – start here and adjust for peak performance

(Note: All are pounds per unit)

Round > 65 or Flat > 45	1	Round 45-55 or Flat <35	3	Round <35	5
Round 55-65 or Flat 35-45	2	Round 35-45	4		

Population Max™ Inserts

The Population Max™ backing plate is equipped with an “A” insert. There are two other inserts that can be used. Before changing to a different insert, please consult with a MeterMax® representative for a recommendation.

General Planting Tips

1. Optimum planting speed is 4 ½ to 5 miles per hour. Excess speed results in poor spacing performance and improper depth control.
2. Fine-tune your planter by checking all key components including: Keeton® Seed Firmers, seed tubes, chains, sprockets, tire pressure, seed monitor, double disk openers, gauge wheels, closing wheels, parallel arms, and the row unit itself.

Annual Maintenance

Check your Precision™ Meter annually. Inspect Population Max™, Skip Stop™ and the SureFire™ seed belt. Replace the brush every year. Only use a Precision Planting Adjustable Brush or maroon colored brush in Precision™ Meters – other brushes are too stiff and will increase skips. The insert will eventually show some wear and can easily be replaced. The perimeter wear strip is also replaceable. Please consult with a MeterMax® representative regarding replacement.

Warnings

1. The use of seed-box treatments will affect meter performance and wear of meter components. Precision Planting will not be responsible for performance and rapid wear when seed box treatments are used.
2. Generally, meter performance is enhanced with graphite if using Captan, Cruiser, Poncho or other seed treatments. If graphite is needed, use Precision Planting Graphite or EZ-Slide which is less abrasive than the planter manufacturer’s powder graphite.
3. Always store your meters in a dry, secure place to avoid moisture, temperature extremes and mice. Also, be sure to store the meters with the brush between two fingers, so the fingers are not pressing on the brush.
4. Don’t ignore your planter monitor. Check your seed use. Investigate discrepancies that could indicate problems with your row unit or meter.

Warranty

Precision Planting, Inc. warrants this product to be free from defects in material or workmanship during the first year of service. The use of seedbox treatments voids this warranty. Our obligation under this warranty shall be limited to repairing or replacing, free of charge to the original purchaser, any part that in our judgment shall show evidence of such defect, provided further that such part shall be returned within thirty (30) days from the date of failure – routed through the dealer from whom the purchase was made. Shipping charges prepaid.

Precision Planting shall have no obligation or liability of any kind on account of any of its equipment and shall not be liable for special or consequential damages. This warranty does not extend to loss of crops, loss because of planting delays or any expense or loss incurred for labor, supplies, substitute machinery, rental or for any other reason. Precision Planting makes no other warranty, express or implied.